



ORDER FORM



Unit # 1623 - 4500 Kingsway
Burnaby, BC
Canada V5H 2A9

Tel: 604-899-8001
Fax: 604-899-8002

Customer's First Name: _____

Last Name: _____

Address: _____

City: _____

Province: _____

Postal Code: _____

Tel: _____

Fax: _____

Cell: _____

Email: _____

Toilet Information

HomeTech: HI-3000
 HI-4000
 HI-6000

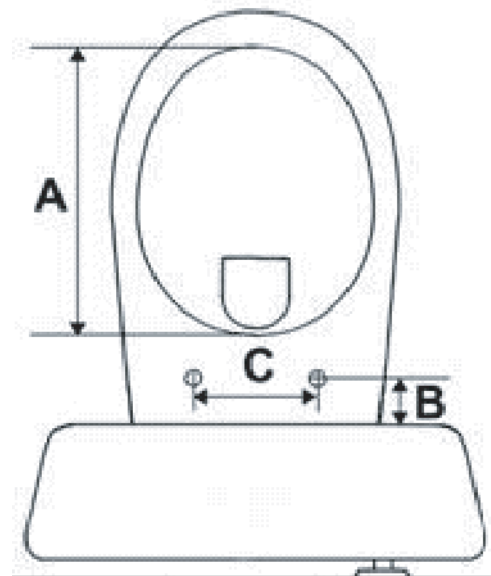
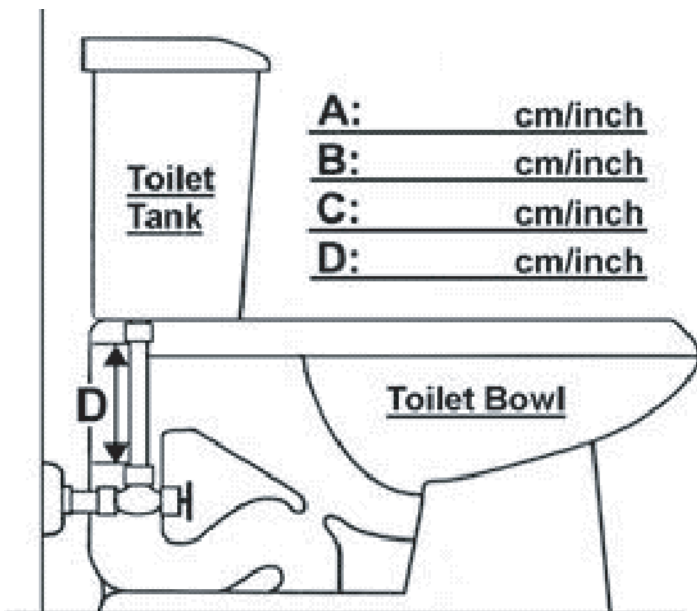
Color:
 White
 Biscuit

INAX: Luscence
 Clessence

Toilet seat size: Elongated type
 Round type

Toilet type: One-piece
 Two-piece

If you are uncertain as to the size/type of your toilet, please fill out the measurements in the diagram below.



Please fax this order form to 604-899-8002